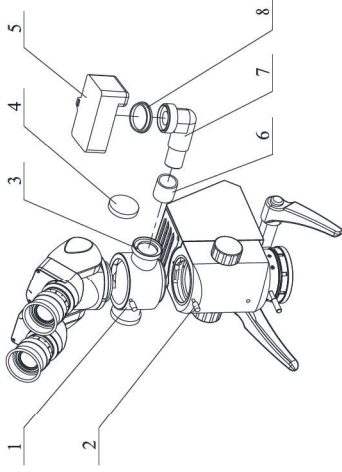


QUICK INSTALLATION GUIDE

Installation Guide of Digital Camera

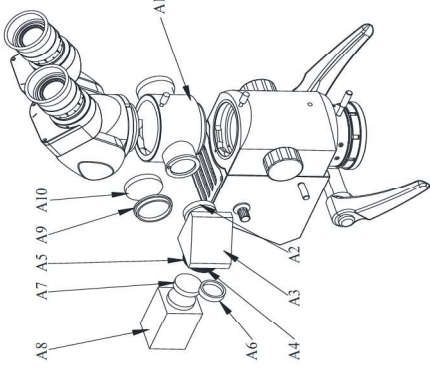


- [1] Beam Splitter
- [2] Lock Screw
- [3] Locking Ring
- [4] Dust Cover1
- [5] Digital Camera
- [6] Dust Cover 2
- [7] Digital Camera Adapter
- [8] Dust Cover 3

Step of installation:

- ◆ Unscrew Lock Screw [2] to remove the Binoculars. Mount the Beam splitter [1] to microscope body and tighten Lock Screw [2].
- ◆ Digital Camera adapter [7] can be attached to the beam splitter on right side.
- ◆ Collect the dust cover3 [4] of beam splitter and keep it for future use.
- ◆ Mount the Digital Camera adapter [7] to beam splitter. Be sure aligning the pin on beam splitter to the slot on Digital Camera Adapter [7] . And then tighten Locking Ring (3).
- ◆ Unscrew the Dust Cover 3 [8] of Digital Camera [5] and keep it for future use.
- ◆ Mount the Digital Camera [5] to Digital Camera Adapter [7] (Please make sure the red point on the Digital Camera is in the same please with the red point on the Camera Adapter).
- ◆ Mount Binoculars on top of Beam Splitter [1] and fasten the lock screw.

Installation of CCD (Video camera)



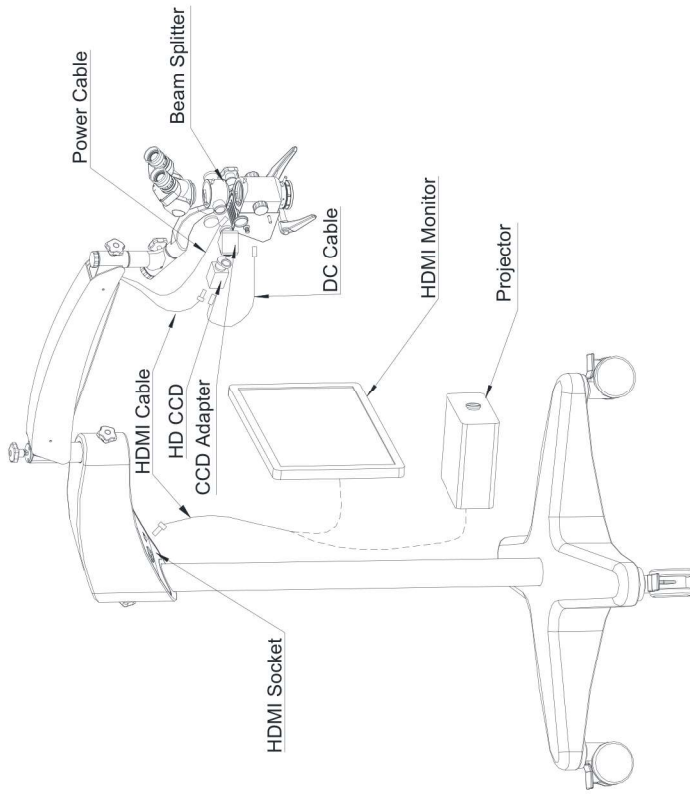
- [A1] Beam Splitter
- [A2] Locking Ring1
- [A3] Video Camera Adapter
- [A4] Focusing Ring
- [A5] Locking Ring 2
- [A6] Dust Cover 1
- [A7] CCD Dust Cover
- [A8] CCD
- [A9] Dust Cover 2
- [A10] Dust Cover 3

Steps of Installation:

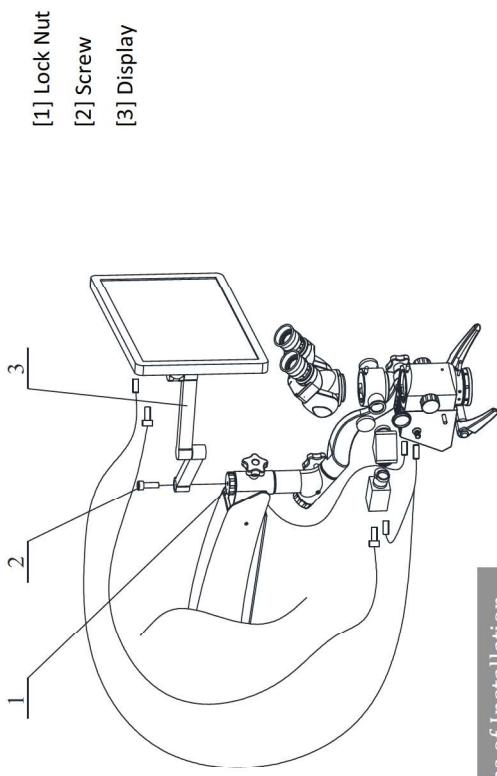
- ◆ Unscrew Lock Screw [23] to remove the Binoculars. Mount the Beam splitter [A1] to microscope body and tighten Lock Screw [23].
- ◆ A DC adapter or CCD adapter can be attached to the beam splitter on left or right side accommodating to user's established habit. Collect the dust cover3 [A10] of beam splitter and keep it for future use.
- ◆ Mount the CCD adapter to beam splitter. Be sure aligning the pin on beam splitter to the slot on CCD adapter. And then tighten Locking Ring1 (A2).
- ◆ Mount video camera (CCD) to CCD adapter [A3], and fasten the locking ring. Please refer to the installing direction show on the picture.
- ◆ Connect the power cable and data cable of CCD to get a preview image in the display.
- ◆ Mount Binoculars on top of Beam Splitter [A1] and fasten the lock screw.

QUICK INSTALLATION GUIDE

Installation Diagram of HD Display/ Projector



Installation of Smart Display System



Steps of Installation:

- ◆ Mount the display bracket to the microscope arm.
- ◆ Connect the power cable and data cable of CCD to get a preview image in the display.

QUICK INSTALLATION GUIDE

Image Kit applicable to DOM 3000 Series microscope

Version 1.0 First edition: JAN 2016 Published by SEMORR

Subject to change in design or specifications without advance notification.

SEMORR
SEMORR MEDICAL

Address: Room 301, Bldg. #1, No. 188 Jialingjiang Rd, Suzhou 215168, China.

Tel: 0512-68317976 Email: info@semorr.com www.semorr.com